

ALL DIMENSIONS ARE IN INCHES
UNLESS OTHERWISE STATED
TOLERANCES EXCEPT AS NOTED

DECIMALS:
 .X ±0.100
 .XX ±0.060
 .XXX ±0.030
 .XXXX ±0.010

ANGLES:
 ±1°

ALL FORMED ANGLES
 EQUAL 90° UNLESS
 NOTED OTHERWISE

() INDICATES REFERENCE

THE INFORMATION IN THIS DRAWING IS THE SOLE
 PROPERTY OF KARAVAN TRAILERS, INC. ANY
 REPRODUCTION OR USE IN PART OR WHOLE WITHOUT
 THE WRITTEN PERMISSION OF KARAVAN TRAILERS,
 INC. IS PROHIBITED.

APPROVED BY:

DRAWN BY:
 MATTHEW J. HEINEN

DATE:
 4/18/2013

SHEET:
 1 OF 6

SCALE:
 N/A

KARAVAN
TRAILERS

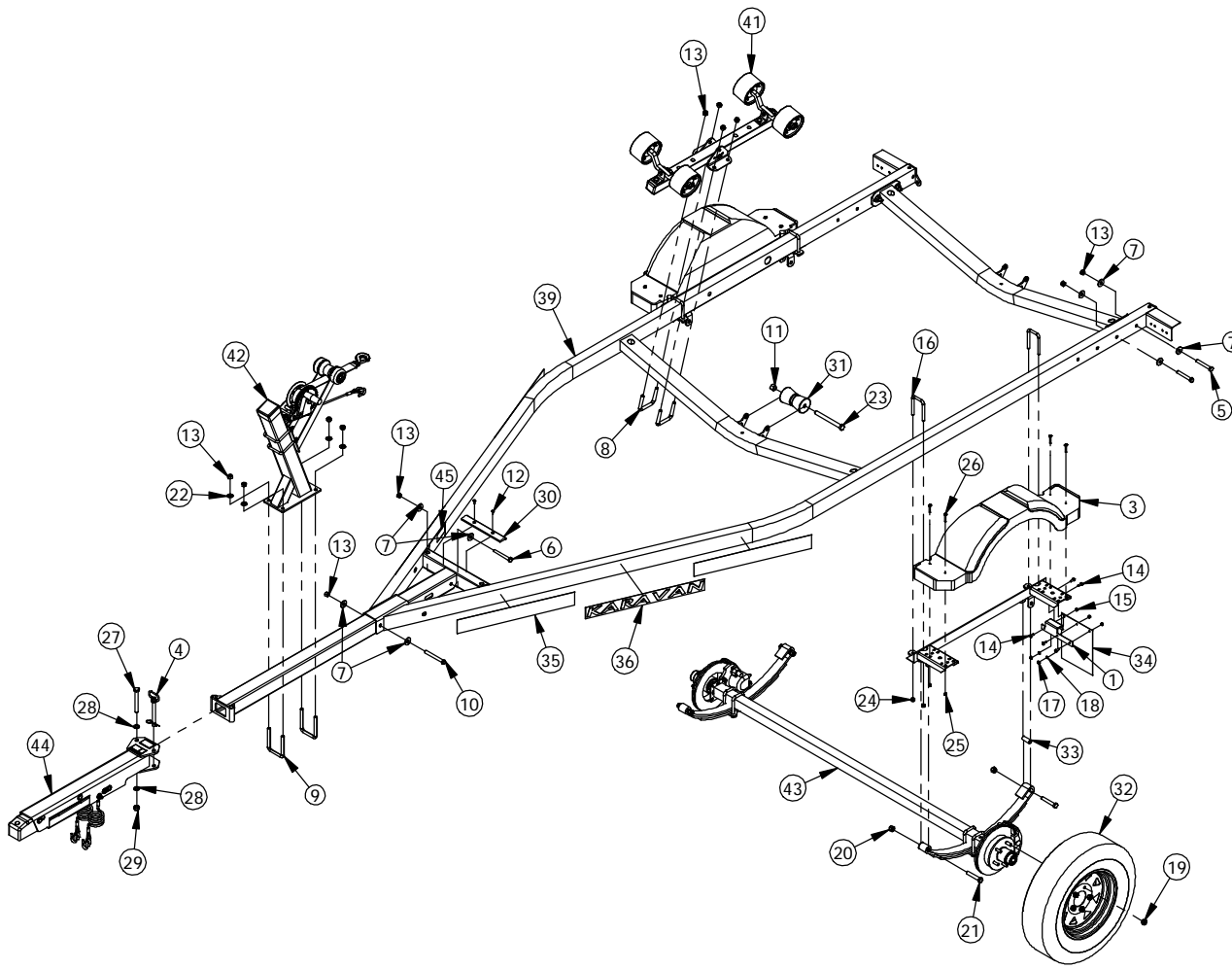
TITLE: KKR-1800-DB-64-ST

MAT'L: SEE B.O.M.

FINISH: N/A

DWG. #: 600-00992-A

DWG. REV.	ECR/NDR NUMBER	REVISED BY	DATE	DESCRIPTION
A	15615	MJH	04-18-13	NEW FINAL ASSEMBLY DRAWING CREATED.



ITEM NO.	SEE NOTES	PART NUMBER	DESCRIPTION	QTY.
1	1	100-02891	MUD FLAP BRACKET	2
2		203-00095	BRAKE LINE	1
3		206-00056	FENDER	2
4		207-00034	TILT PIN	1
5		210-00013	.50"-13 X 3.50" HX HD BOLT	4
6		210-00014	.50"-13 X 4.00" HX HD BOLT	1
7		210-00017	.50" FLAT WASHER	12
8		210-00028	.50"-13 X 3.063" X 3.50" U-BOLT	8
9		210-00029	.50"-13 X 3.063" X 4.50" U-BOLT	2
10		210-00040	.50"-13 X 4.50" HX HD BOLT	1
11		210-00043	.625"-18 NYLOCK HEX NUT	2
12		210-00057	#10 X .625" HX WSHR HD SCREW	2
13		210-00061	.50"-13 CENTERLOCK HEX NUT	26
14		210-00084	.25"-20 X .75" HX HD BOLT	10
15		210-00085	.25"-20 CENTER LOCK NUT	6
16		210-00087	.438"-14 X 2.25" X 4.00" U-BOLT	4
17		210-00092	.25"-20 REG. HEX NUT	4
18		210-00117	.25" SPLIT LOCK WASHER	4
19		210-00137	.50"-20 X .813" LUG NUT	10
20		210-00157	.563"-12 NYLOCK HEX NUT	4
21		210-00211	.563"-12 X 3.25" HX HD BOLT	4
22		210-00240	.50" SAE FLAT WASHER ZINC	4
23		210-00312	.625"-18 X 6.50" HX HD BOLT	2
24		210-00330	.438"-14 CENTERLOCK HEX NUT	8
25		210-00340	.250"-20 NYLOCK HEX NUT	8
26		210-00384	SCREW 6 LOBE TRUSS HD 1/4"-20 X 1-1/2"	8
27		210-00417	.625"-11 X 4.25" HX HD BOLT	1
28		210-00420	.625" FLAT WASHER	2
29		210-00421	.625"-11 TOP LOCK HEX NUT	1
30		216-00019	KEEL PROTECTOR	1
31	1	216-00039	KEEL ROLLER	2
32		220-00062	ST175/80D13B	2
33		229-00096	BUSHING	2
34	1	229-00364	MUD FLAP	2
35		234-00058	LOGO	4
36		234-00060	LOGO	2
37		300-01130	SPRING HANGER WELDMENT	2
38		300-02907	SWING TONGUE WELDMENT	1
39		300-02909	FRAME WELDMENT	1
40		300-02910	CROSS MEMBER WLDMNT	1
41	1	310-01558	ROLLER ASSY	4
42	1	310-01903	WINCH ASSY	1
43		310-02378	AXLE ASSEMBLY W/SPRINGS	1
44		310-03206	TONGUE ASSY SWING 3 X 3	1
45		LIT-00147	SERIAL TAG ALUM. AUS	1

NOTES:
 1. SEE ADDITIONAL INSTRUCTIONS ON PAGE SIX.

DWG. REV.	NO.	BY	DATE	DESCRIPTION
A	15615	MJH	04-18-13	NEW FINAL ASSEMBLY DRAWING CREATED.

ALL DIMENSIONS ARE IN INCHES UNLESS OTHERWISE STATED TOLERANCES EXCEPT AS NOTED
 DECIMALS:
 .X ±0.100
 .XX ±0.060
 .XXX ±0.030
 .XXXX ±0.010
 ANGLES:
 ±1°
 ALL FORMED ANGLES EQUAL 90° UNLESS NOTED OTHERWISE
 () INDICATES REFERENCE

THE INFORMATION IN THIS DRAWING IS THE SOLE PROPERTY OF KARAVAN TRAILERS, INC. ANY REPRODUCTION OR USE IN PART OR WHOLE WITHOUT THE WRITTEN PERMISSION OF KARAVAN TRAILERS, INC. IS PROHIBITED.
 APPROVED BY: ---
 DRAWN BY: MATTHEW J. HEINER
 DATE: 4/18/2013
 SHEET: 2 OF 6
 SCALE: N/A

KARAVAN
TRAILERS

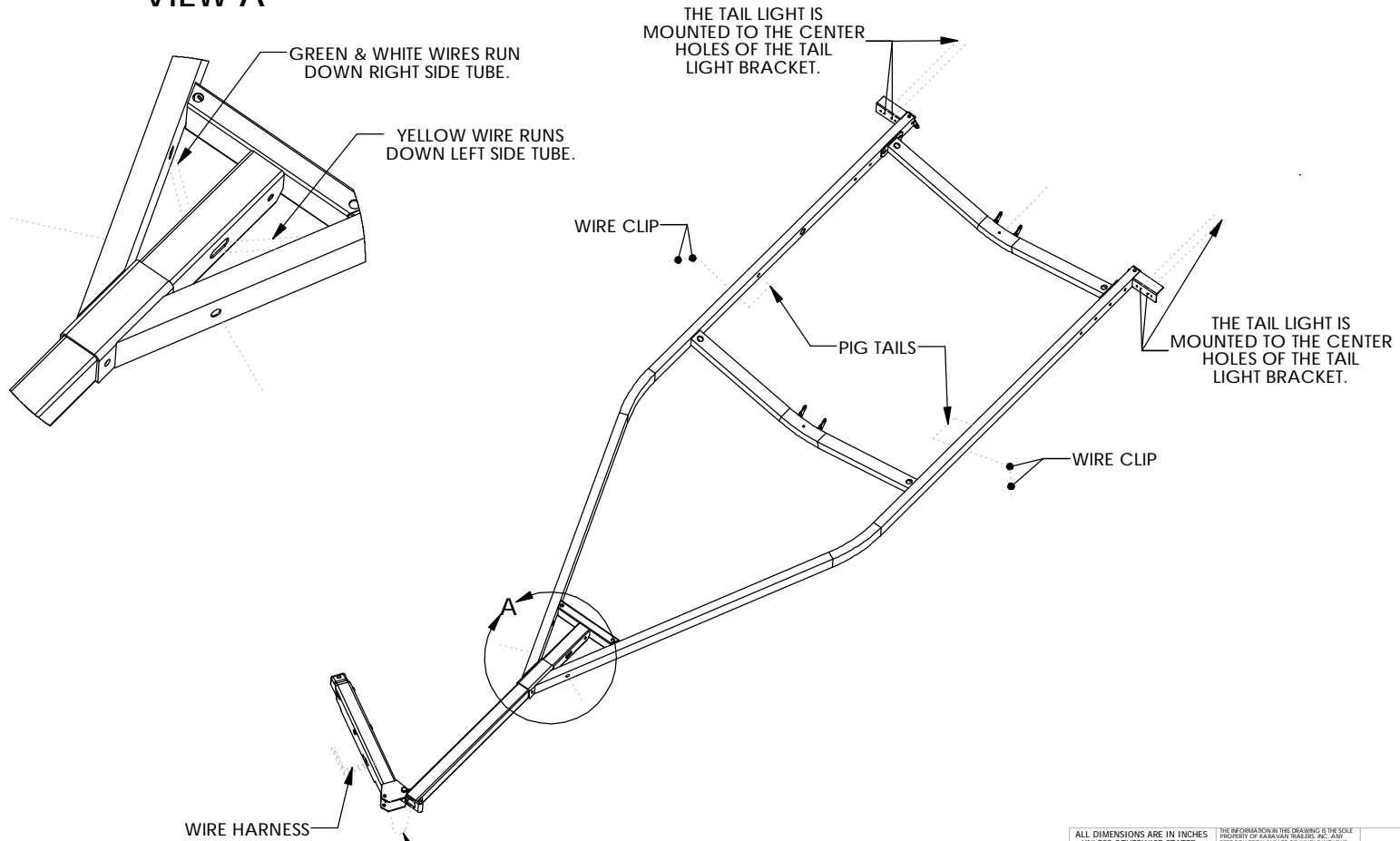
TITLE: KKR-1800-DB-64-ST

MAT'L: SEE B.O.M.

FINISH: N/A

DWG. #: 600-00992-A

VIEW A



WIRE HARNESS

THE LOOM IS PLACED AROUND THE WIRE HARNESS AT THE SWING JOINT AREA. CABLE TIES(231-00064) TO BE FASTENED AROUND THE LOOM (3X)

ALL DIMENSIONS ARE IN INCHES UNLESS OTHERWISE STATED TOLERANCES EXCEPT AS NOTED

DECIMALS:
 .X ±0.100
 .XX ±0.060
 .XXX ±0.030
 .XXXX ±0.010

ANGLES:
 ±1°

ALL FORMED ANGLES EQUAL 90° UNLESS NOTED OTHERWISE

() INDICATES REFERENCE

THE INFORMATION IN THIS DRAWING IS THE SOLE PROPERTY OF KARAVAN TRAILERS, INC. ANY REPRODUCTION OR USE IN ANY PART OF WHOLE WITHOUT THE WRITTEN PERMISSION OF KARAVAN TRAILERS, INC. IS PROHIBITED.

APPROVED BY: - - -
 DRAWN BY: MATTHEW J. HEINEN
 DATE: 4/18/2013

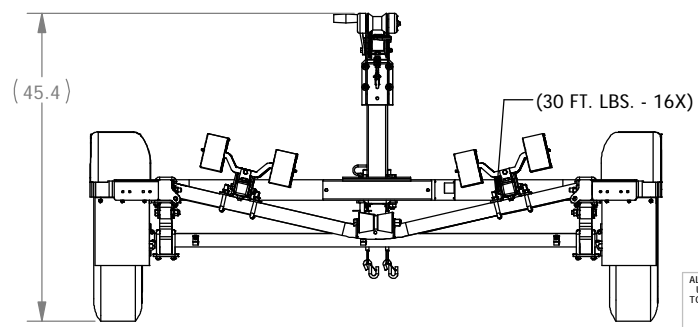
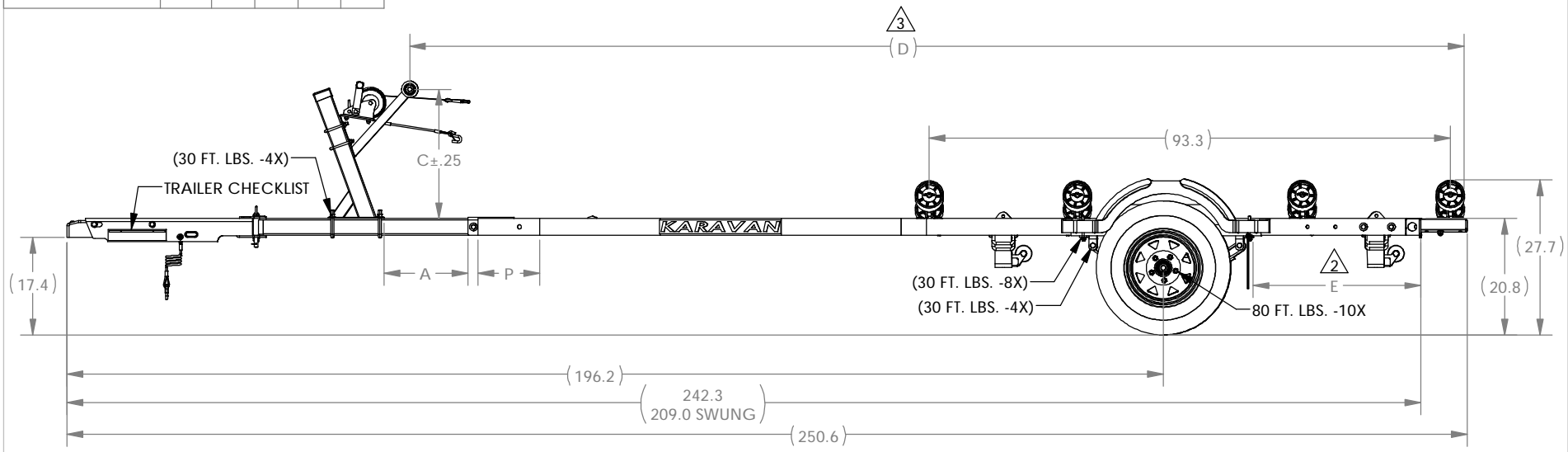
SHEET: 3 OF 6
 SCALE: N/A

KARAVAN
TRAILERS

TITLE: KKR-1800-DB-64-ST
 MAT'L: SEE B.O.M.
 FINISH: N/A
 DWG. #: 600-00992-A

REV.	ECR/NDR NUMBER	REVISED BY	DATE	DESCRIPTION
A	15615	MJH	04-18-13	NEW FINAL ASSEMBLY DRAWING CREATED.

MODEL #	DIMENSIONS				
	"A"	"C"	"D"	"E"	"P"
*	15.0	23.5	188.7	30.00	21.0



- NOTES:
- △ DIMENSION IS FROM THE BACK OF THE SPING HANGER TO THE END OF THE SIDE TUBE.
 - △ DIMENSION TOLERANCE IS ±2.00 DUE TO VARIANCE IN BOW EYE ROLLER HEIGHT.
 - 4.) TORQUE CALLOUTS IN PARANTHESIS ARE FOR REFERENCE. TIGHTEN FASTENERS UNTIL PINCHED TIGHT (DO NOT OVER TIGHTEN BUNK PIVOT POINTS). MINOR DEFLECTION OF MATERIAL IS ACCEPTABLE.

DWG. REV.	ECR/NDR NUMBER	REVISED BY	DATE	DESCRIPTION
A	15615	MJH	04-18-13	NEW FINAL ASSEMBLY DRAWING CREATED.

ALL DIMENSIONS ARE IN INCHES UNLESS OTHERWISE STATED TOLERANCES EXCEPT AS NOTED

DECIMALS:
 .X ±0.100
 .XX ±0.060
 .XXX ±0.030
 .XXXX ±0.010

ANGLES:
 ±1°

ALL FORMED ANGLES EQUAL 90° UNLESS NOTED OTHERWISE

() INDICATES REFERENCE

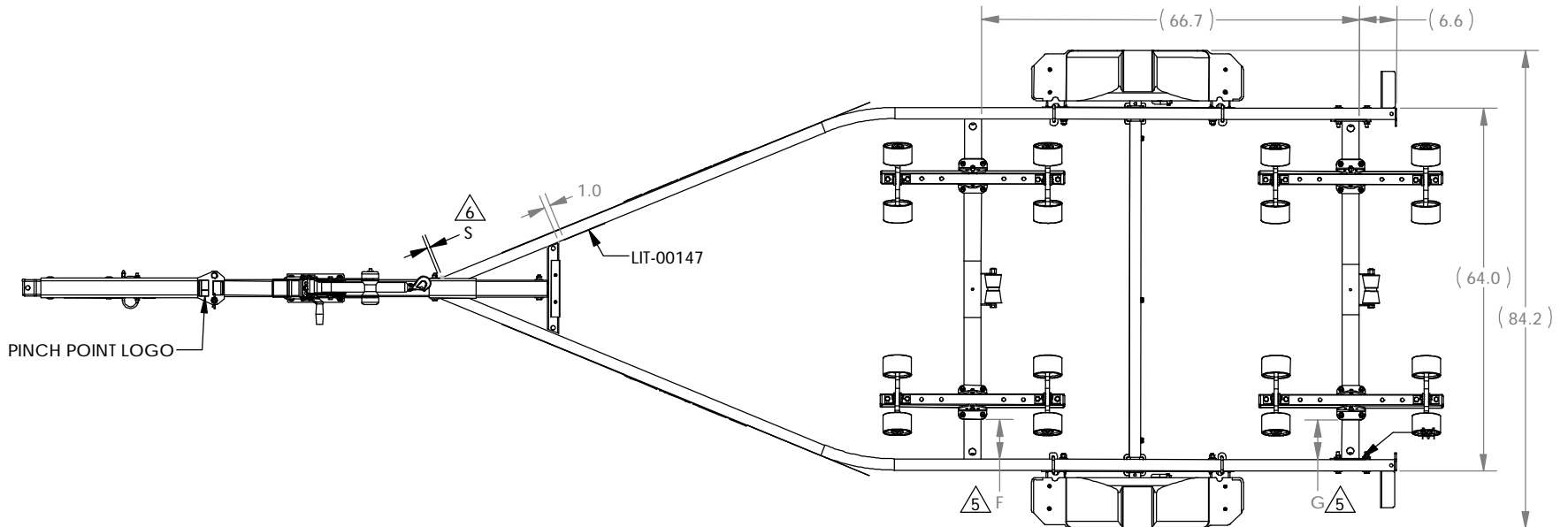
THE INFORMATION IN THIS DRAWING IS THE SOLE PROPERTY OF KARAVAN TRAILERS, INC. ANY REPRODUCTION OR USE IN ANY PART OF WHOLE WITHOUT THE WRITTEN PERMISSION OF KARAVAN TRAILERS, INC. IS PROHIBITED.

APPROVED BY: - - -
 DRAWN BY: MATTHEW J. HEINEN
 DATE: 4/18/2013

SHEET: 4 OF 6
 SCALE: N/A

KARAVAN TRAILERS	
TITLE:	KKR-1800-DB-64-ST
MAT'L:	SEE B.O.M.
FINISH:	N/A
DWG. #:	600-00992-A

MODEL #	DIMENSIONS			
	"F"	"G"	"M"	"S"
*	70	7.0	3 & 4	0.5



NOTES:

- 5 ROLLER LOCATION IS THE DISTANCE FROM THE INSIDE OF THE SIDE TUBE TO THE OUTSIDE OF THE ROLLER MOUNTING BRACKET.
- 6 DIMENSION INDICATES THE SET LOCATION OF THE RIGHT EDGE OF THE PIN STAMPER.

DWG. REV.	ECR/NDR NUMBER	REVISED BY	DATE	DESCRIPTION
A	15615	MJH	04-18-13	NEW FINAL ASSEMBLY DRAWING CREATED.

ALL DIMENSIONS ARE IN INCHES UNLESS OTHERWISE STATED TOLERANCES EXCEPT AS NOTED

DECIMALS:

.X ±0.100
 .XX ±0.060
 .XXX ±0.030
 .XXXX ±0.010

ANGLES:
 ±1°

ALL FORMED ANGLES EQUAL 90° UNLESS NOTED OTHERWISE

() INDICATES REFERENCE

THE INFORMATION IN THIS DRAWING IS THE SOLE PROPERTY OF KARAVAN TRAILERS, INC. ANY REPRODUCTION OR USE IN PART OR WHOLE WITHOUT THE WRITTEN PERMISSION OF KARAVAN TRAILERS, INC. IS PROHIBITED.

APPROVED BY:
 - - -

DRAWN BY:
 MATTHEW J. HEINEN

DATE:
 4/18/2013

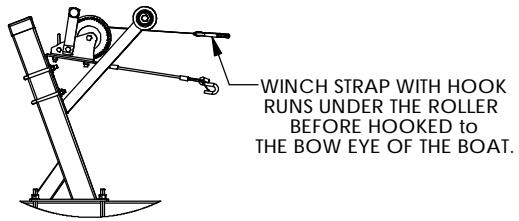
SHEET:
 5 OF 6

SCALE:
 N/A

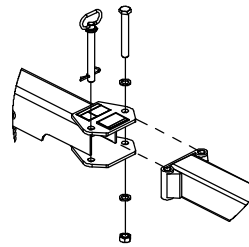
KARAVAN
TRAILERS

TITLE:	KKR-1800-DB-64-ST
MAT'L:	SEE B.O.M.
FINISH:	N/A
DWG. #:	600-00992-A

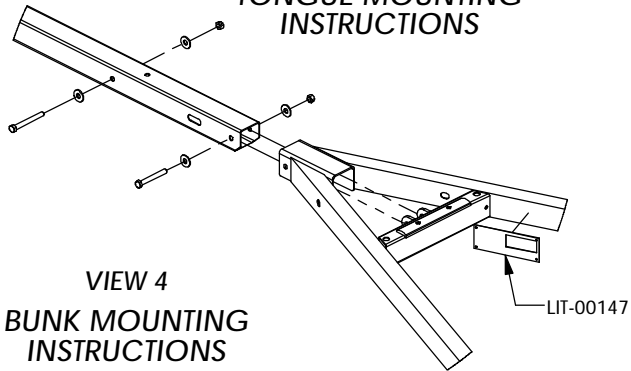
**VIEW 1
WINCH INSTRUCTIONS**



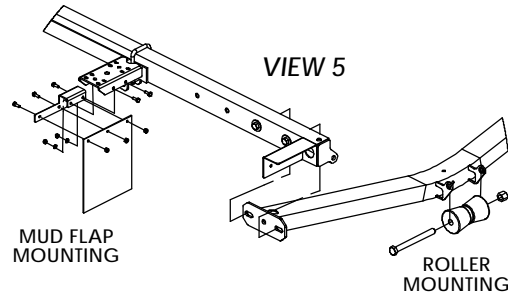
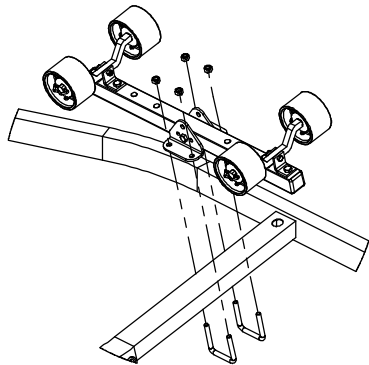
**VIEW 2
SWING TONGUE MOUNTING INSTRUCTIONS**



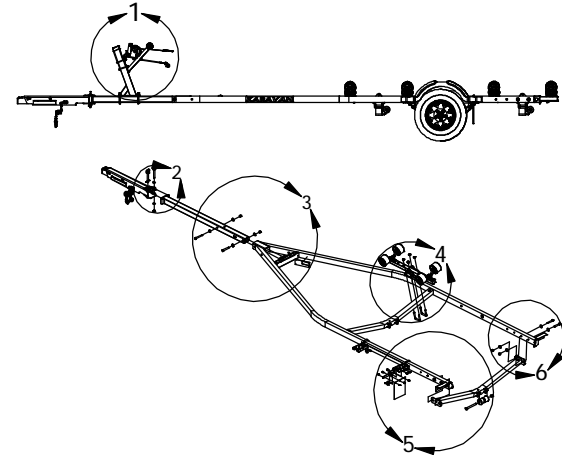
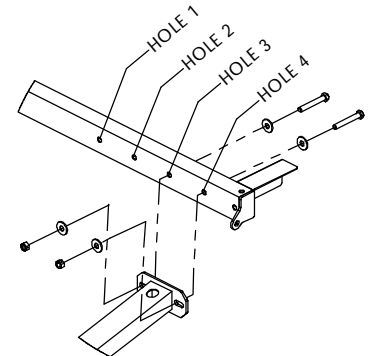
**VIEW 3
TONGUE MOUNTING INSTRUCTIONS**



**VIEW 4
BUNK MOUNTING INSTRUCTIONS**



**VIEW 6
CROSS MEMBER MOUNTING INSTRUCTIONS**



ALL DIMENSIONS ARE IN INCHES
UNLESS OTHERWISE STATED
TOLERANCES EXCEPT AS NOTED
DECIMALS:
.X ±0.100
.XX ±0.060
.XXX ±0.030
.XXXX ±0.010
ANGLES:
±1°
ALL FORMED ANGLES
EQUAL 90° UNLESS
NOTED OTHERWISE
() INDICATES REFERENCE

THE INFORMATION IN THIS DRAWING IS THE SOLE
PROPERTY OF KARAVAN TRAILERS, INC. ANY
REPRODUCTION OR IN PART OR WHOLE WITHOUT
THE WRITTEN PERMISSION OF KARAVAN TRAILERS,
INC. IS PROHIBITED.
APPROVED BY: ---
DRAWN BY: MATTHEW J. HEINEN
DATE: 4/18/2013
SHEET: 6 OF 6
SCALE: N/A

KARAVAN
TRAILERS
TITLE: KKR-1800-DB-64-ST
MAT'L: SEE B.O.M.
FINISH: N/A
DWG. #: 600-00992-A

DWG. REV.	ECR/NDR NUMBER	REVISED BY	DATE	DESCRIPTION
A	15615	MJH	04-18-13	NEW FINAL ASSEMBLY DRAWING CREATED.