

VIEW A

KARAVAN

ALL DIMENSIONS ARE IN INCHES
UNLESS OTHERWISE STATED
TOLERANCES EXCEPT AS NOTED

DECIMALS:
.X ±0.100
.XX ±0.060
.XXX ±0.030
.XXXX ±0.010

ANGLES:
±1°

ALL FORMED ANGLES
EQUAL 90° UNLESS
NOTED OTHERWISE

() INDICATES REFERENCE

THE INFORMATION IN THIS DRAWING IS THE SOLE
PROPERTY OF KARAVAN TRAILERS, INC. ANY
REPRODUCTION IN WHOLE OR IN PART WITHOUT
THE WRITTEN PERMISSION OF KARAVAN TRAILERS,
INC. IS PROHIBITED.

APPROVED BY:

DRAWN BY:
MATTHEW J. HEINEN

DATE:
4/24/2013

SHEET:
1 OF 6

SCALE:
N/A

KARAVAN
TRAILERS

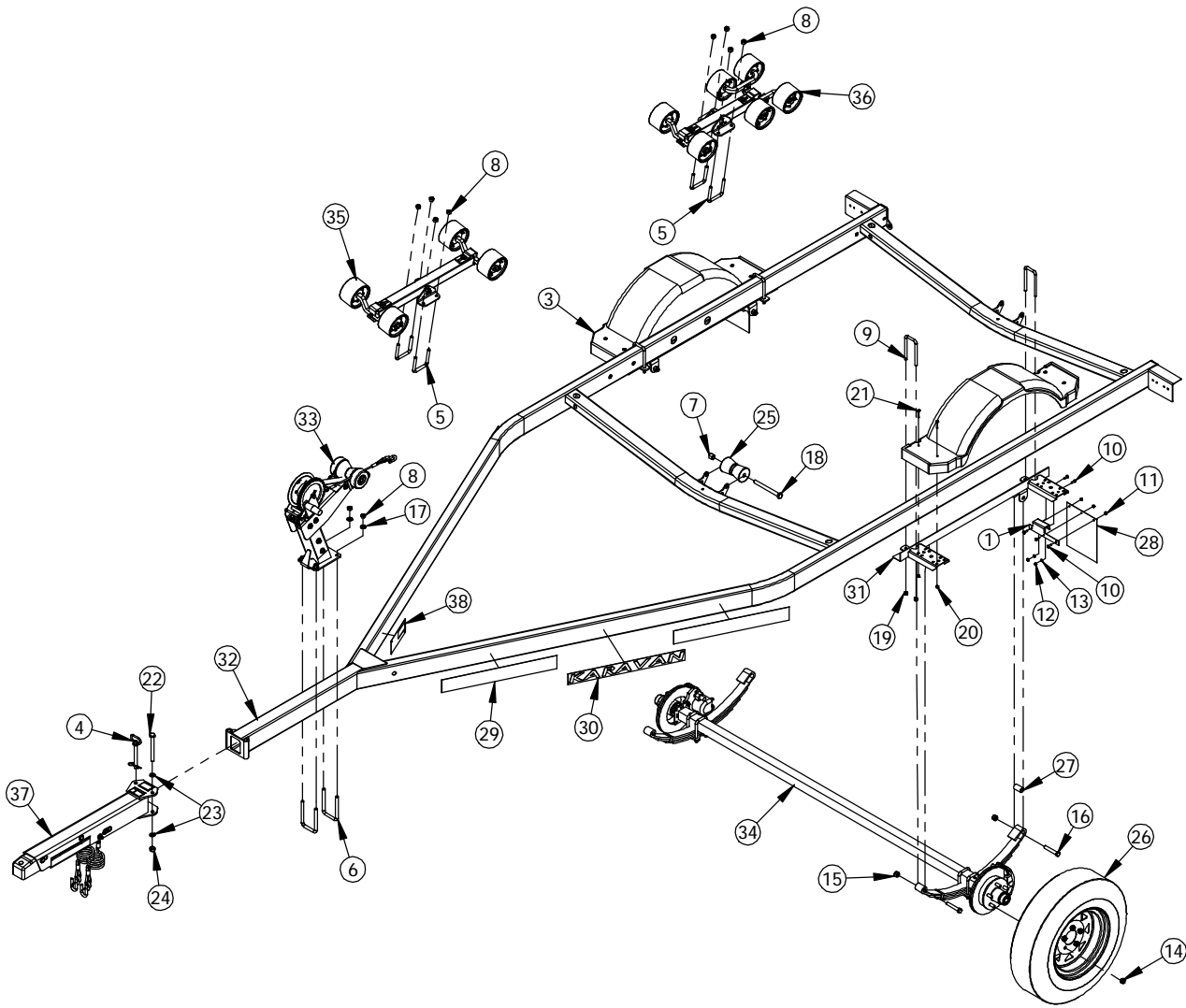
TITLE: KRUS-3100-DB10-74-ST

MAT'L: SEE B.O.M.

FINISH: N/A

DWG. #: 600-00994-A

DWG. REV.	ECR/NDR NUMBER	REVISED BY	DATE	DESCRIPTION
A	15615	MJH	04-24-13	NEW FINAL ASSEMBLY DRAWING CREATED.



ITEM NO.	NOTES	PART NUMBER	DESCRIPTION	QTY.
1	1	100-02891	MUD FLAP BRACKET	2
2		203-00095	BRAKE LINE	1
3		206-00049	FENDER	2
4		207-00034	TILT PIN	1
5		210-00028	50"-13 X 3.063" X 3.50" U-BOLT	8
6		210-00030	50"-13 X 3.063" X 5.25" U-BOLT	2
7		210-00043	.625"-18 NYLOCK HEX NUT	2
8		210-00061	50"-13 CENTERLOCK HEX NUT	20
9		210-00068	.438"-14 X 2.25" X 5.31" U-BOLT	4
10		210-00084	.25"-20 X .75" HX HD BOLT	10
11		210-00085	.25"-20 CENTER LOCK NUT	6
12		210-00092	.25"-20 REG. HEX NUT	4
13		210-00117	.25" SPLIT LOCK WASHER	4
14		210-00137	.50"-20 X .813" LUG NUT	10
15		210-00157	.563"-12 NYLOCK HEX NUT	4
16		210-00211	.563"-12 X 3.25" HX HD BOLT	4
17		210-00240	.50" SAE FLAT WASHER ZINC	4
18		210-00312	.625"-18 X 6.50" HX HD BOLT	2
19		210-00330	.438"-14 CENTERLOCK HEX NUT	8
20		210-00340	.250"-20 NYLOCK HEX NUT	8
21		210-00384	SCREW 6 LOBE TRUSS HD 1/4"-20 X 1-1/2"	8
22		210-00418	.625"-11 X 5.75" HX HD BOLT	1
23		210-00420	.625" FLAT WASHER	2
24		210-00421	.625"-11 TOP LOCK HEX NUT	1
25	1	216-00039	KEEL ROLLER	2
26		220-00046	5-HOLE TIRE & RIM	2
27		229-00095	BUSHING	2
28	1	229-00364	MUD FLAP	2
29		234-00058	LOGO	4
30		234-00060	LOGO	2
31		300-01900	SPRING HANGER WELDMENT	2
32		300-02937	FRAME WELDMENT	1
33	1	310-01694	WINCH ASSY	1
34		310-02324	AXLE ASSEMBLY	1
35		310-02926	ROLLER ASSY	2
36		310-03081	ROLLER ASSY	2
37		310-03209	TONGUE ASSY SWING 3X4 BRK	1
38		LIT-00147	SERIAL TAG ALUM. AUS	1

NOTE:
1.) SEE ADDITIONAL INSTRUCTIONS ON PAGE SIX.

DWG. REV.	15615	MJH	04-24-13	DATE	DESCRIPTION
A	15615	MJH	04-24-13	DATE	NEW FINAL ASSEMBLY DRAWING CREATED.

ALL DIMENSIONS ARE IN INCHES UNLESS OTHERWISE STATED TOLERANCES EXCEPT AS NOTED
 DECIMALS:
 .X ±0.100
 .XX ±0.060
 .XXX ±0.030
 .XXXX ±0.010
 ANGLES:
 ±1°
 ALL FORMED ANGLES EQUAL 90° UNLESS NOTED OTHERWISE
 () INDICATES REFERENCE

THE INFORMATION IN THIS DRAWING IS THE SOLE PROPERTY OF KARAVAN TRAILERS, INC. ANY REPRODUCTION IN PART OR WHOLE WITHOUT THE WRITTEN PERMISSION OF KARAVAN TRAILERS, INC. IS PROHIBITED.

APPROVED BY: ---
 DRAWN BY: MATTHEW J. HEINEN
 DATE: 4/24/2013
 SHEET: 2 OF 6
 SCALE: N/A

KARAVAN TRAILERS

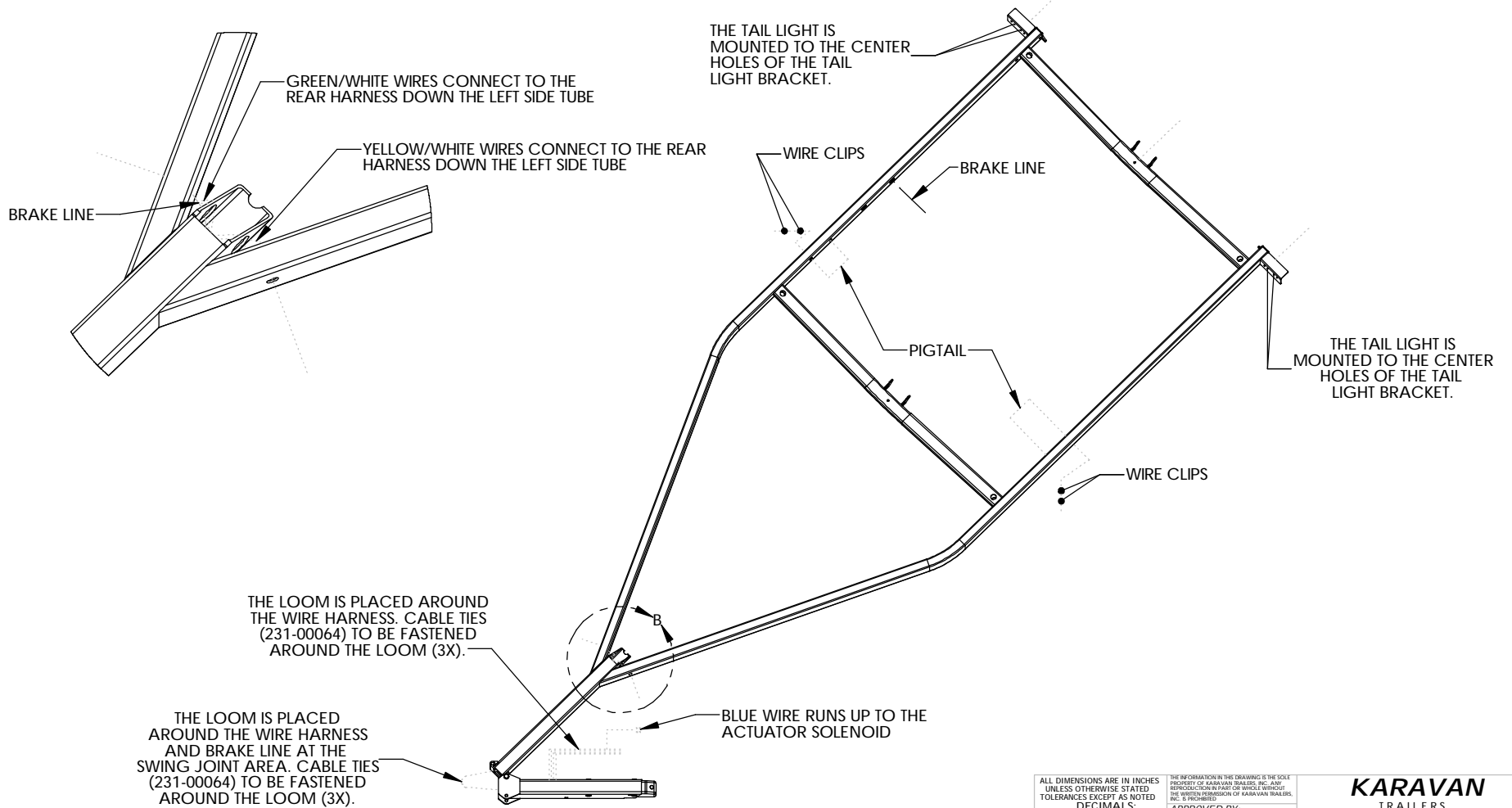
TITLE: KRUS-3100-DB10-74-ST

MAT'L: SEE B.O.M.

FINISH: N/A

DWG. #: 600-00994-A

VIEW B



ALL DIMENSIONS ARE IN INCHES
UNLESS OTHERWISE STATED
TOLERANCES EXCEPT AS NOTED

DECIMALS:
.X ±0.100
.XX ±0.060
.XXX ±0.030
.XXXX ±0.010

ANGLES:
±1°

ALL FORMED ANGLES
EQUAL 90° UNLESS
NOTED OTHERWISE

() INDICATES REFERENCE

THE INFORMATION IN THIS DRAWING IS THE SOLE
PROPERTY OF KARAVAN TRAILERS, INC. ANY
REPRODUCTION IN WHOLE OR IN PART WITHOUT
THE WRITTEN PERMISSION OF KARAVAN TRAILERS,
INC. IS PROHIBITED.

APPROVED BY:

DRAWN BY:
MATTHEW J. HEINEN

DATE:
4/24/2013

SHEET:
3 OF 6

SCALE:
N/A

KARAVAN
TRAILERS

TITLE: KRUS-3100-DB10-74-ST

MAT'L: SEE B.O.M.

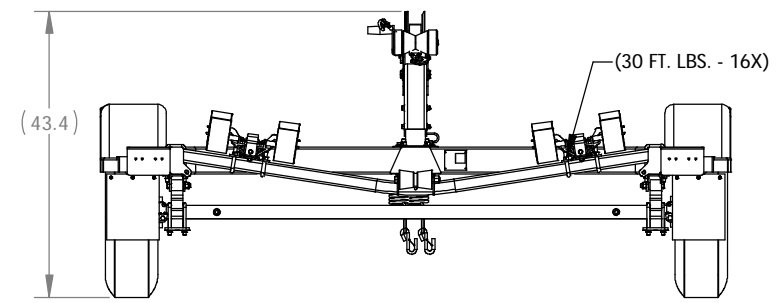
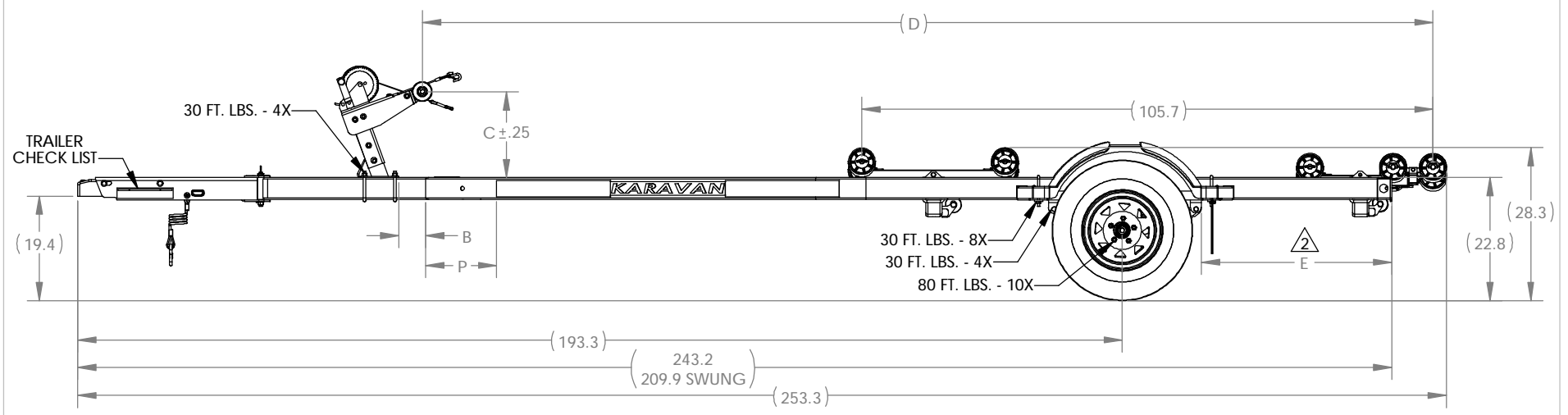
FINISH: N/A

DWG. #: 600-00994-A

DWG. REV.	ECR/NDR NUMBER	REVISED BY	DATE	DESCRIPTION
A	15615	MJH	04-24-13	NEW FINAL ASSEMBLY DRAWING CREATED.

Model #	DIMENSIONS				
	"B"	"C"	"D"	"E"	"P"
	POST	UP	REF	AXLE	LOGO
*	5.0	15.5	187.0	35.25	14.5

* SEE JOB PART NUMBER FOR WHICH TRAILER SETUP TO USE



NOTES:
 ② DIMENSION IS FROM BACK OF SPRING HANGER TO THE BACK OF THE FRAME.

ALL DIMENSIONS ARE IN INCHES UNLESS OTHERWISE STATED TOLERANCES EXCEPT AS NOTED
 DECIMALS:
 .X ±0.100
 .XX ±0.060
 .XXX ±0.030
 .XXXX ±0.010
 ANGLES:
 ±1°
 ALL FORMED ANGLES EQUAL 90° UNLESS NOTED OTHERWISE
 () INDICATES REFERENCE

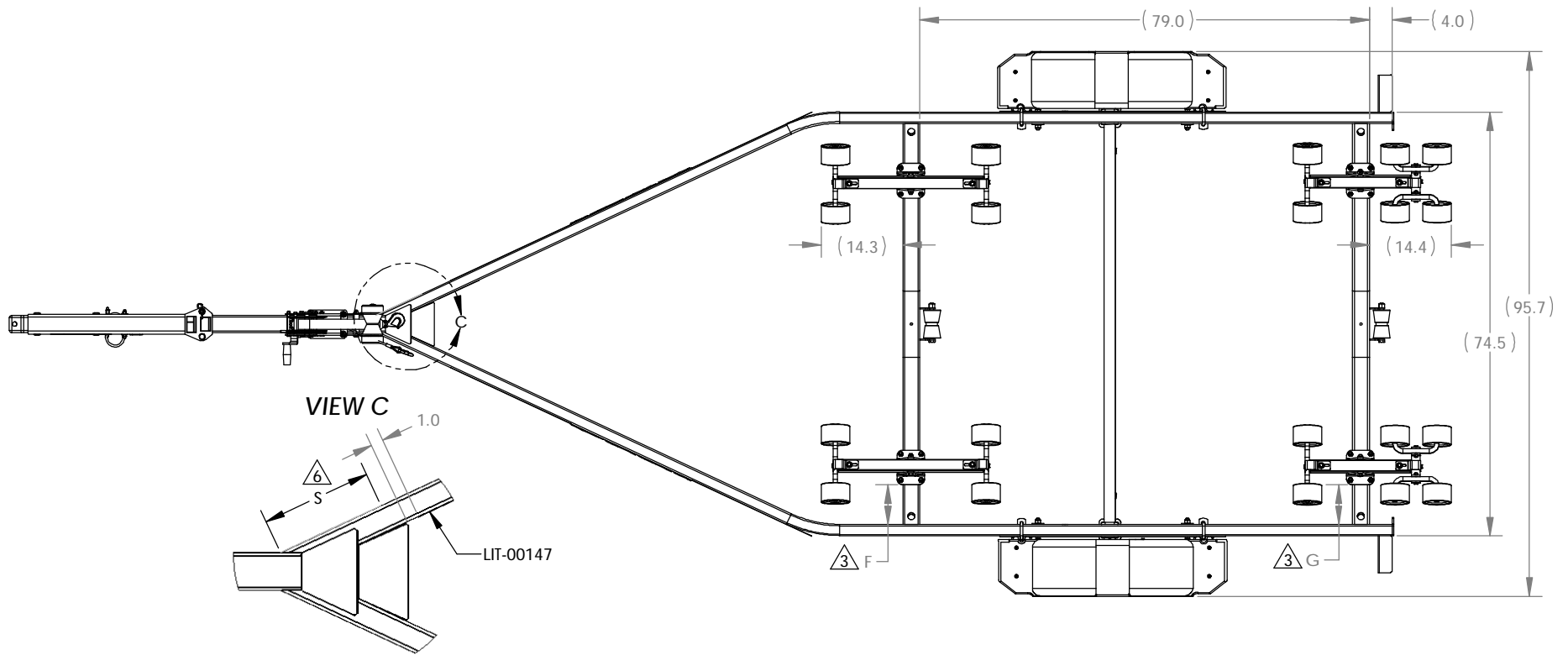
THE INFORMATION IN THIS DRAWING IS THE SOLE PROPERTY OF KARAVAN TRAILERS, INC. ANY REPRODUCTION IN WHOLE OR IN PART WITHOUT THE WRITTEN PERMISSION OF KARAVAN TRAILERS, INC. IS PROHIBITED.
 APPROVED BY: ~ ~ ~
 DRAWN BY: MATTHEW J. HEINEN
 DATE: 4/24/2013
 SHEET: 4 OF 6
 SCALE: N/A

KARAVAN TRAILERS	
TITLE:	KRUS-3100-DB10-74-ST
MAT'L:	SEE B.O.M.
FINISH:	N/A
DWG. #:	600-00994-A

REV.	ECR/NDR NUMBER	REVISED BY	DATE	DESCRIPTION
A	15615	MJH	04-24-13	NEW FINAL ASSEMBLY DRAWING CREATED.

Model #	Dimensions		
	"F"	"G"	"S"
	FRONT	REAR	STAMP
*	7.0	7.0	8.9

* SEE JOB PART NUMBER FOR WHICH TRAILER SETUP TO USE



NOTES:

3 ROLLER LOCATION IS THE DISTANCE FROM THE INSIDE OF THE SIDE TUBE TO THE OUTSIDE EDGE OF THE ROLLER BRACKET.

DWG. REV.	ECR/NDR NUMBER	REVISED BY	DATE	DESCRIPTION
A	15615	MJH	04-24-13	NEW FINAL ASSEMBLY DRAWING CREATED.

ALL DIMENSIONS ARE IN INCHES UNLESS OTHERWISE STATED. TOLERANCES EXCEPT AS NOTED

DECIMALS:

.X ±0.100
 .XX ±0.060
 .XXX ±0.030
 .XXXX ±0.010

ANGLES:
 ±1°

ALL FORMED ANGLES EQUAL 90° UNLESS NOTED OTHERWISE

() INDICATES REFERENCE

THE INFORMATION IN THIS DRAWING IS THE SOLE PROPERTY OF KARAVAN TRAILERS, INC. ANY REPRODUCTION IN WHOLE OR IN PART WITHOUT THE WRITTEN PERMISSION OF KARAVAN TRAILERS, INC. IS PROHIBITED.

APPROVED BY:

DRAWN BY:
 MATTHEW J. HEINEN

DATE: 4/24/2013

SHEET: 5 OF 6

SCALE: N/A

KARAVAN
 TRAILERS

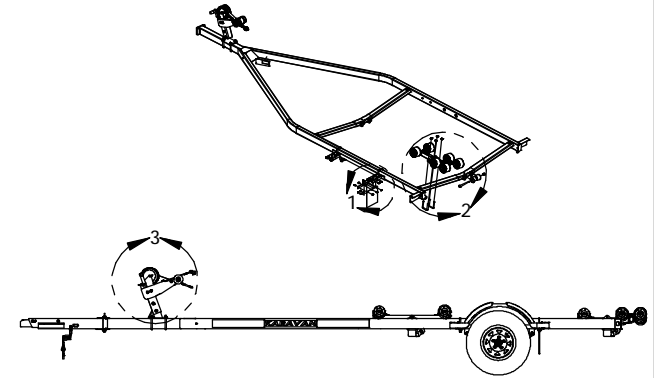
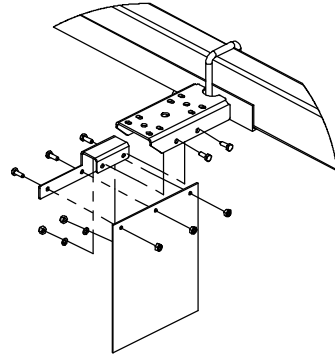
TITLE: KRUS-3100-DB10-74-ST

MAT'L: SEE B.O.M.

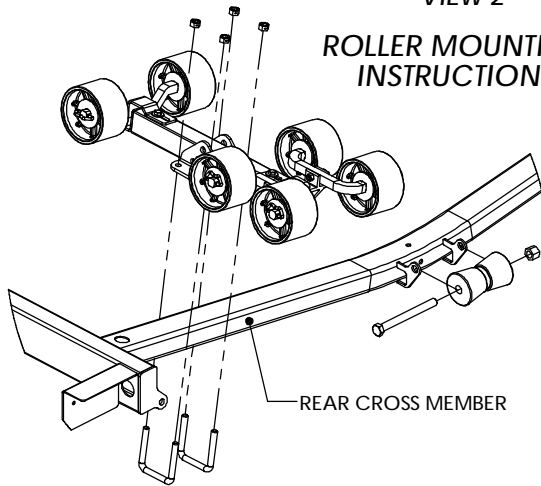
FINISH: N/A

DWG. #: 600-00994-A

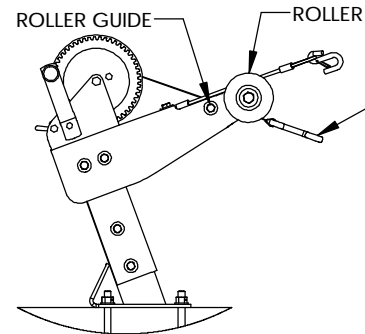
VIEW 1
MUD FLAP MOUNTING
INSTRUCTIONS



VIEW 2
ROLLER MOUNTING
INSTRUCTIONS



VIEW 3



MOUNT TILTED DOWN (SHOWN):
WINCH STRAP WITH
HOOK RUNS UNDER THE
ROLLER GUIDE BEFORE BEING
ATTACHED TO THE BOW
EYE OF THE BOAT.
MOUNT TILTED UP:
WINCH STRAP SHOULD BE RUN
UNDER THE ROLLER & OVER
THE ROLLER GUIDE BEFORE
BEING ATTACHED TO THE
BOW EYE OF THE BOAT.

ALL DIMENSIONS ARE IN INCHES
UNLESS OTHERWISE STATED
TOLERANCES EXCEPT AS NOTED
DECIMALS:
.X ±0.100
.XX ±0.060
.XXX ±0.030
.XXXX ±0.010
ANGLES:
±1°
ALL FORMED ANGLES
EQUAL 90° UNLESS
NOTED OTHERWISE
() INDICATES REFERENCE

THE INFORMATION IN THIS DRAWING IS THE SOLE
PROPERTY OF KARAVAN TRAILERS, INC. ANY
REPRODUCTION IN WHOLE OR IN PART WITHOUT
THE WRITTEN PERMISSION OF KARAVAN TRAILERS,
INC. IS PROHIBITED.
APPROVED BY:
— — —
DRAWN BY:
MATTHEW J. HEINEN
DATE: 4/24/2013
SHEET: 6 OF 6
SCALE: N/A

KARAVAN
TRAILERS

TITLE: KRUS-3100-DB10-74-ST
MAT'L: SEE B.O.M.
FINISH: N/A
DWG. #: 600-00994-A

DWG. REV.	ECR/NDR NUMBER	REVISED BY	DATE	DESCRIPTION
A	15615	MJH	04-24-13	NEW FINAL ASSEMBLY DRAWING CREATED.